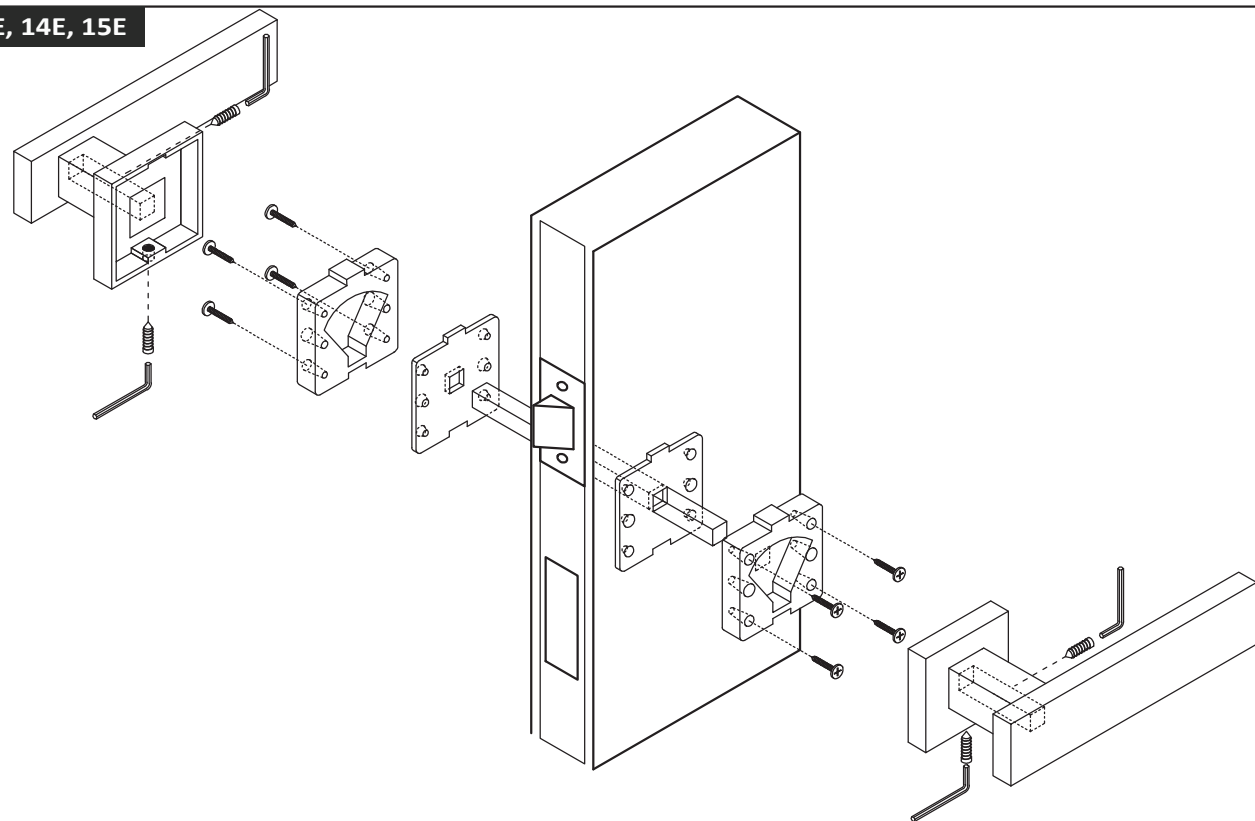


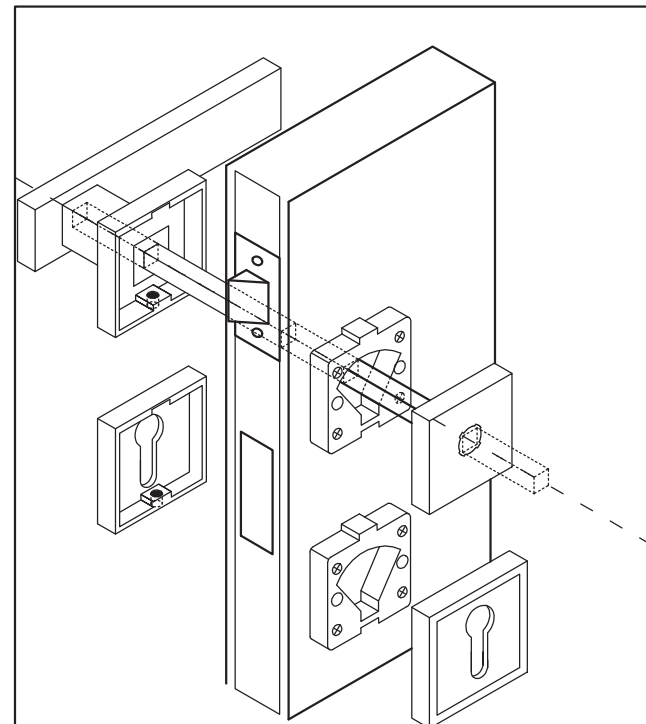
ORO & ORO

13E, 14E, 15E

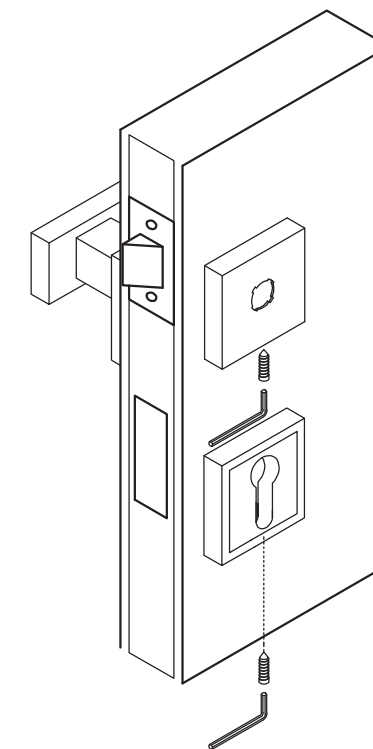


1 General Scheme of Mounting the Handles using a Template (Sticker)

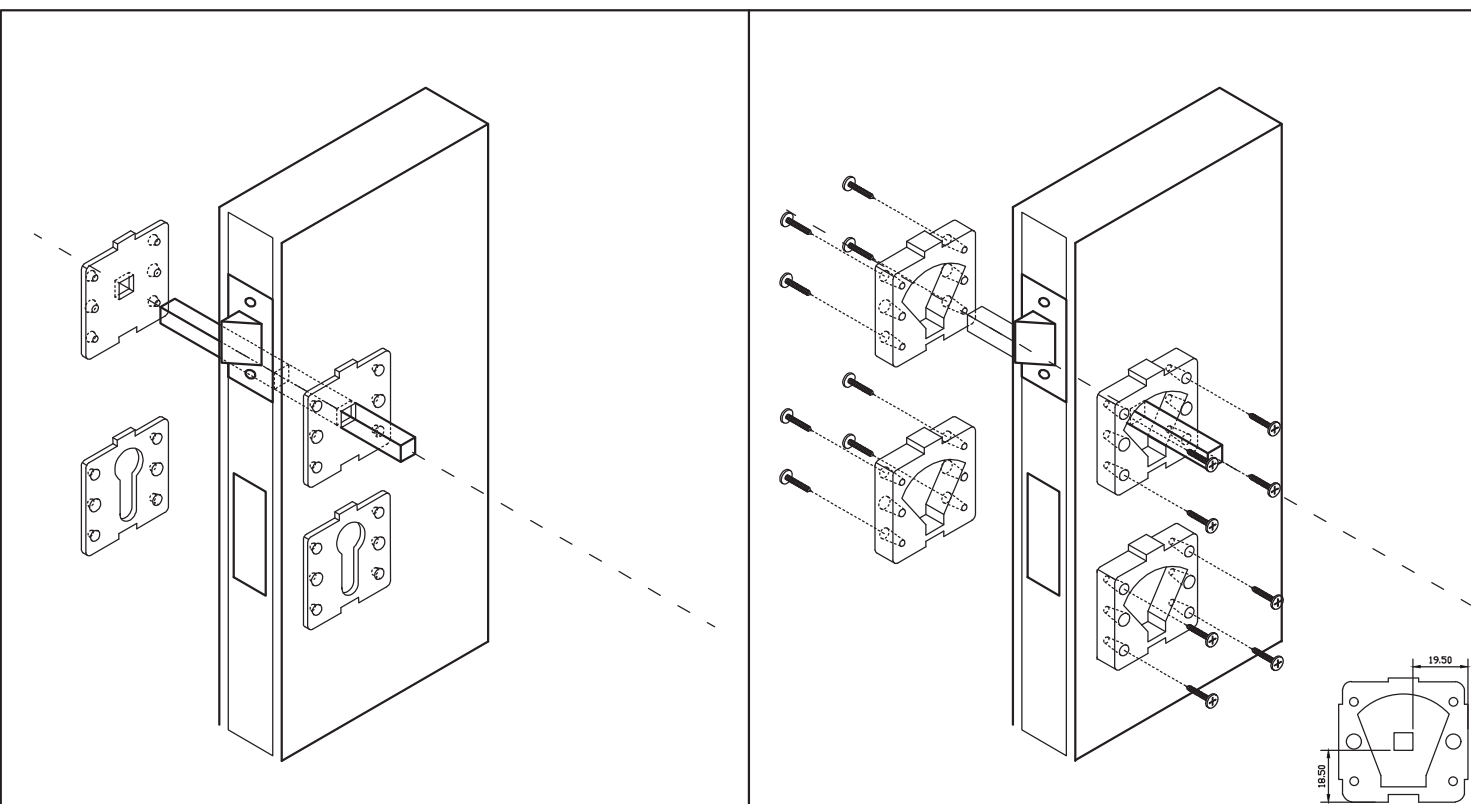
ORO & ORO



4 Fix the handle and the key escutcheon cover.

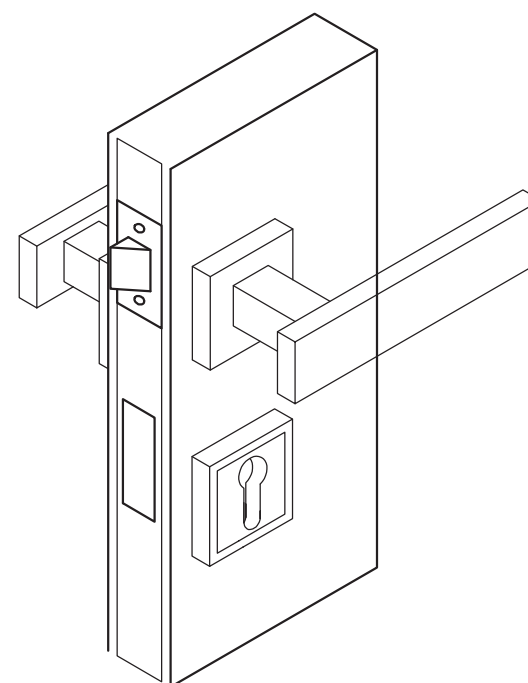


5 Tighten the Allen screws using the Allen keys.

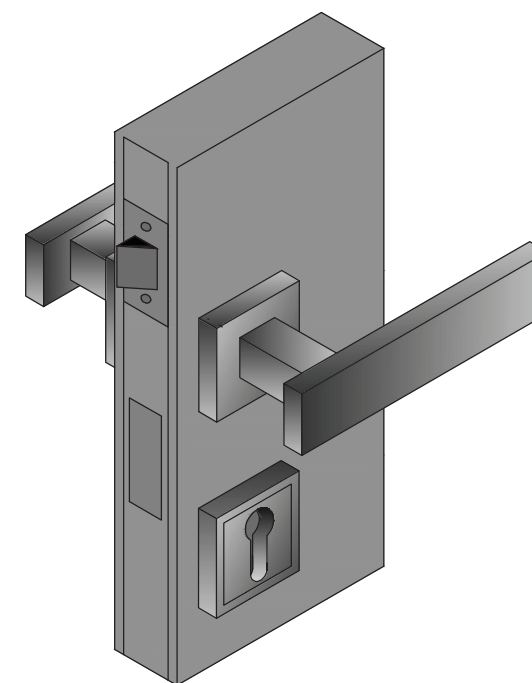


2 After installing the lock, fix the template on the door and mark the location for the screws. Drill the holes of the screws and remove the sticker.

3 Install the inner part of the rose and fix it with screws



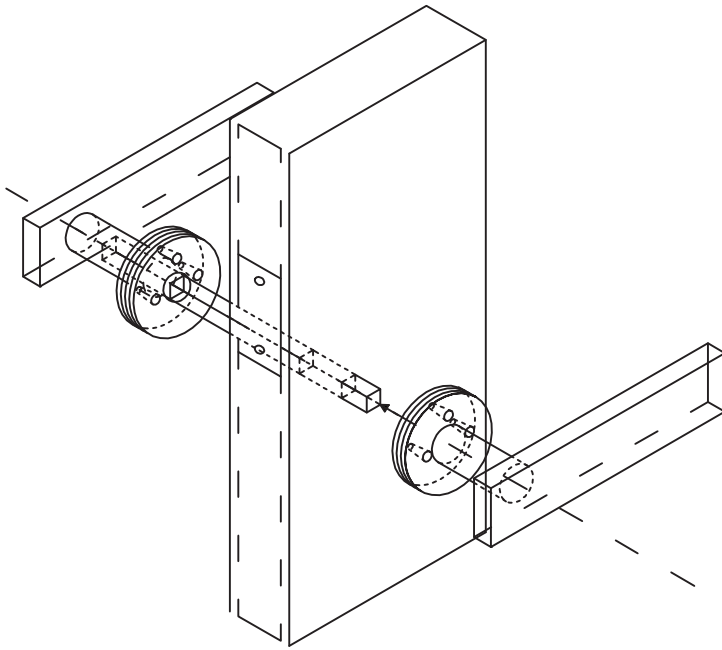
6 Fix the other handle.



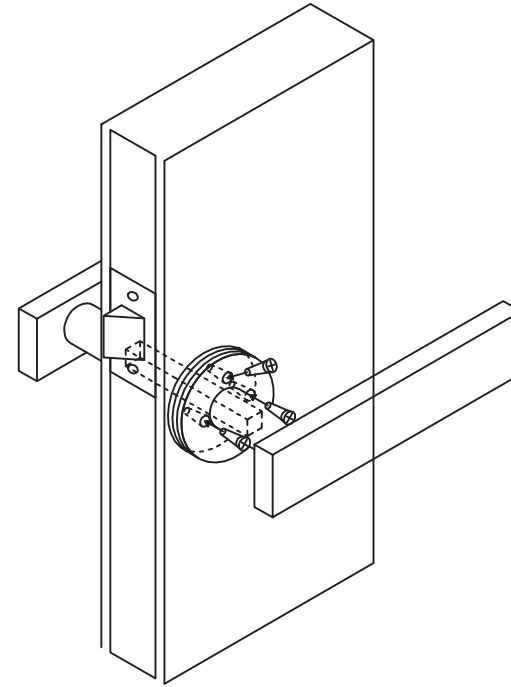
7 The handle is ready to use.

ORO & ORO

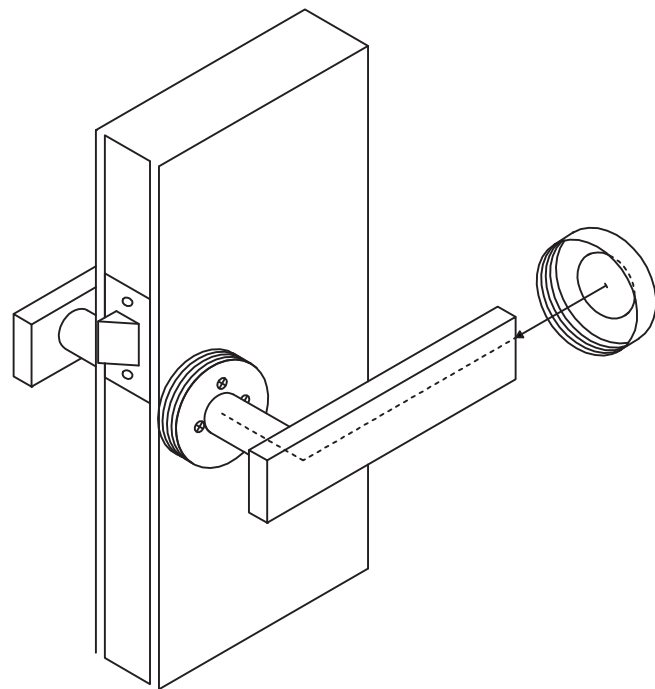
16E



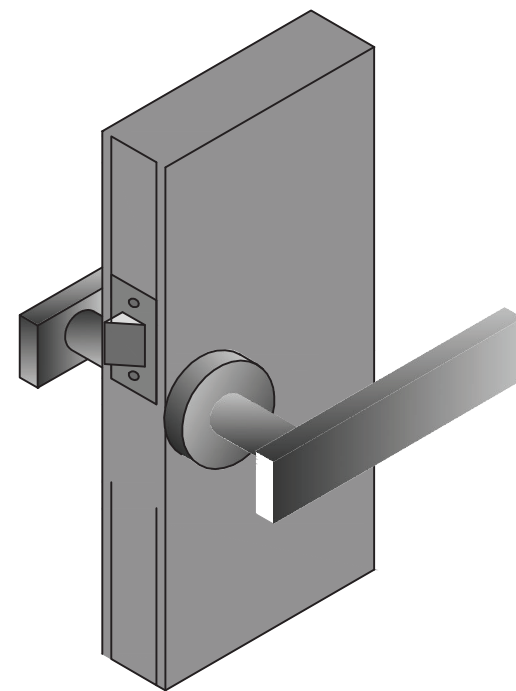
1 Fix the handle and the key escutcheon.



2 Tighten the Allen screws using the Allen keys.



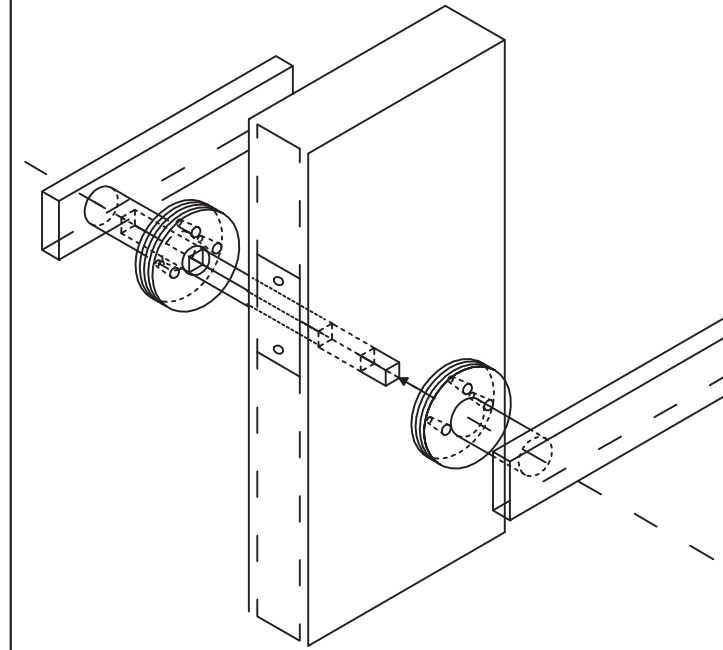
3 Insert the key escutcheon cover.



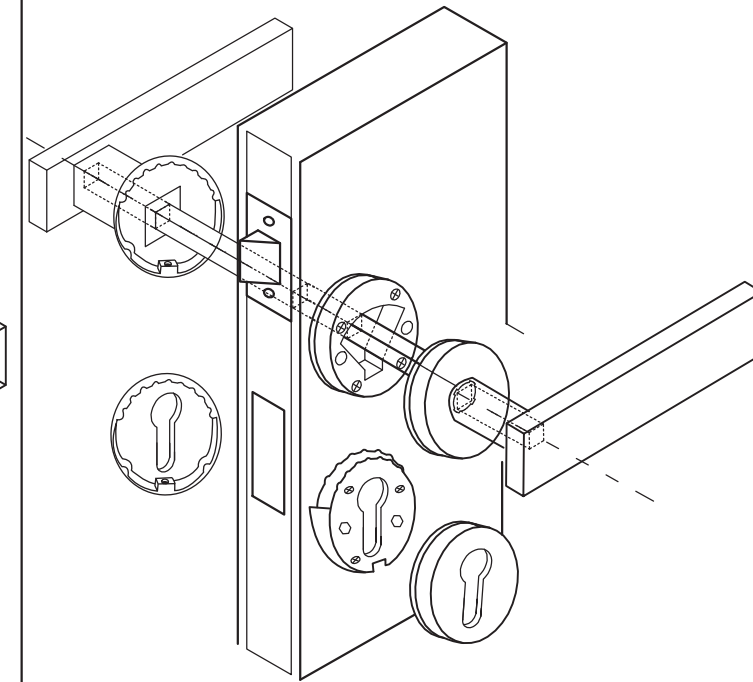
4 The handle is ready to use.

ORO & ORO

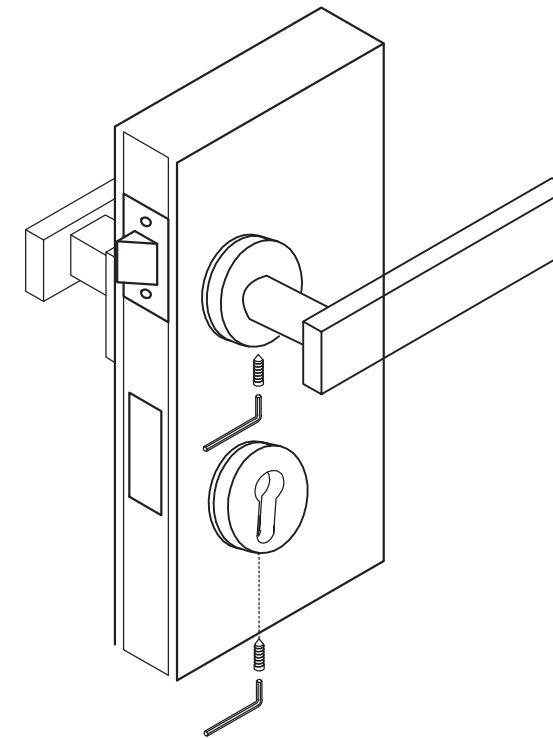
17E



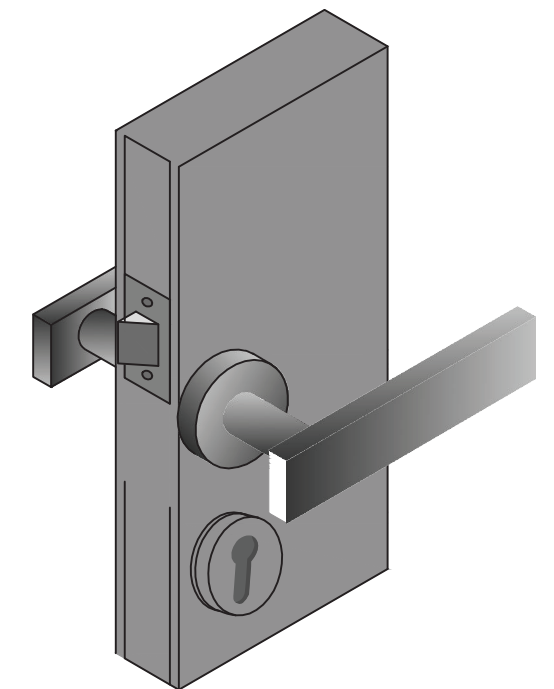
1 Install the inner part of the rose & fix it with screws.



2 Fix the handle & the key escutcheon.



3 Tighten the Allen screws using the Allen keys.



4 The handle is ready to use.